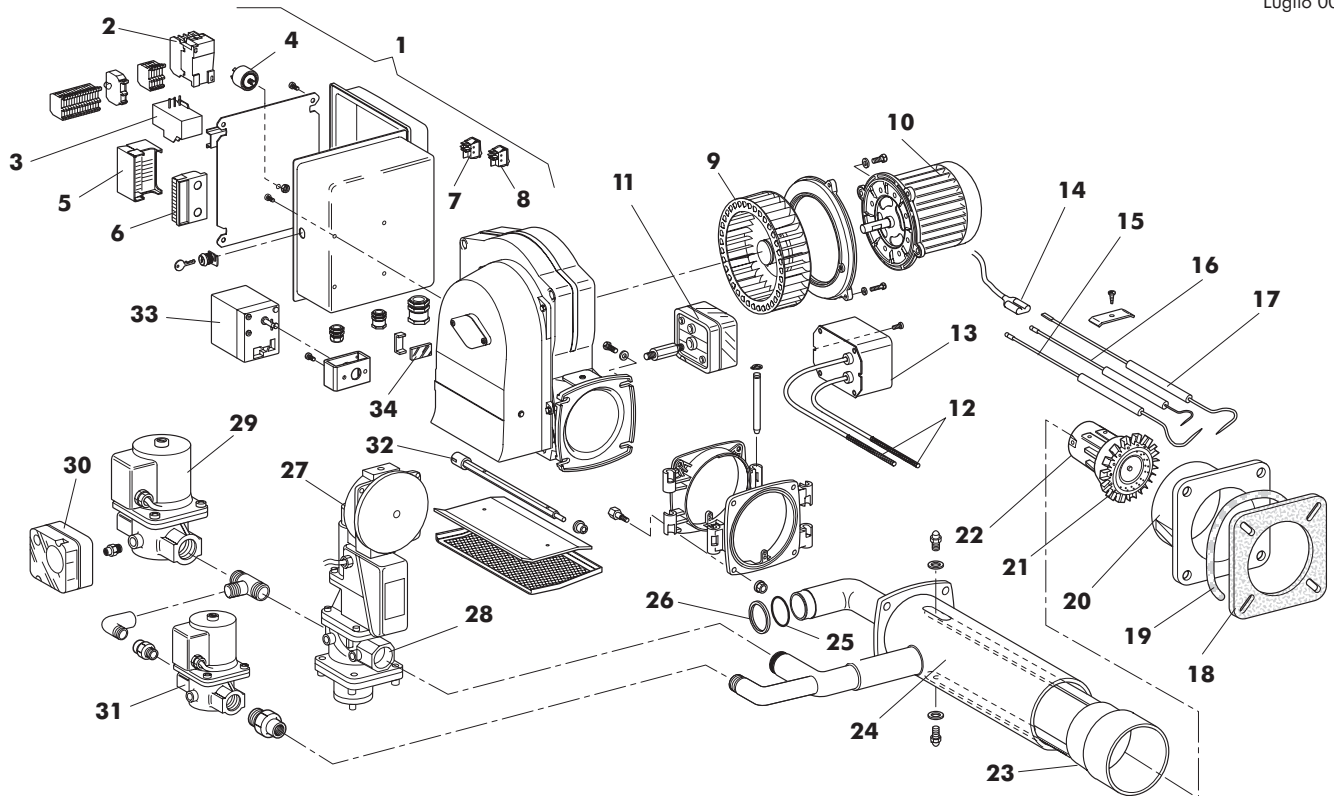


**70 PM/M - E Cod. 835221**
**TAV. 378**

Luglio 00



Pos.	Cod.	Denominazione	Denomination	Denomination	Denominación
1	8.01469.0	G/quadro elettrico	Control board	G/Armoire	G/Cuadro eléctrico
2	4.70337.0	Contattore	Contacteur	Contacteur	Telerruptor
3	4.70312.0	Relé termico	Thermal relay	Rélais thermique	Relais térmico
4	4.03472.0	Filtro antidisturbo	Antijamming filter	Filtre antiparasite	Filtro antiparasitario
5	4.01908.0	App. LFL 1.322	LFL control box	Coffret LFL	Programador LFL
6	4.01909.0	Base apparecchiatura	Base	Base	Base
7	4.03397.0	Pulsante luminoso	Switch	Intérupteur	Interruptor
8	4.03386.0	Interruttore luminoso	Switch	Intérupteur	Interruptor
9	4.00103.0	Ventola	Fan	Ventilateur	Turbina
10	1.00825.1	Motore	Motor	Moteur	Motor
11	4.03460.0	Press. aria	Aire pressure switch	Pressostat air	Presostato aire
12	1.07497.0	Cavo elettrodo	Electrode cable	Cable électrode	Cable electrodo
13	1.08284.0	Trasformatore	Transformer	Transformateur	Transformador
14	1.10344.0	Cavo elettrodo di controllo	Flame rod cable	Cable électr. controle	Cable electrodo ionización
15	4.01698.0	Elettrodo sinistro	Left electrode	Electrode gauche	Electrodo izquierda
16	4.01697.0	Elettrodo destro	Right electrode	Electrode droit	Electrodo diestra
17	4.01735.0	Elettrodo di controllo	Control electrode	Electrode d'ionisation	Electrodo ionización
18	1.05024.0	Guarnizione isolante	Insulating gasket	Joint isalant	Junta aislante
19	1.05025.0	Corda isolante	Insulating rope	Corde isolante	Cuerda aislador
20	1.05023.0	Flangia attacco caldaia	Flange	Joint	Brida
21	1.09597.0	Deflettore	Deflector	Défecteur	Deflector
22	1.06826.0	Collettore testata	Gas/head	Ligne int. gaz	Linea int. gas
23	1.09598.0	Boccaglio	Draught tube	Gueulard	Boca de fuego
24	1.10389.0	G/tubo convogliatore	Conveying tube	G/Tube diffuseur	G/Tubo difusor
25	3.08041.0	OR 152	OR 152	OR 152	OR 152
26	1.06825.0	Guarniz. tubo aliment.	Feeding tube gasket	Joint tube gas	Junta tubo gas
27	4.01944.0	Servomotore SKP 70	Sermomotor SKP 70	Servomoteur SKP 70	Servomotor SKP 70
28	4.01813.0	Corpo 2" VGG10	1 1/2" body VGG10	Corps 1 1/2" VGG10	Cuerpo 1 1/2" VGG10
29	4.00780.0	V.E. HONEYWELL 4050	Valve HONEYWELL 4040	Vanne HONEYWELL 4040	Electroválvula HONEYWELL 4040
30	4.01066.0	Press. gas GW50	Gas pressure switch	Pressostat gaz	Presostato gas
31	4.03475.0	V.E. HONEYWELL 4020	Valve HONEYWELL 4020	Vanne HONEYWELL 4020	Electroválvula HONEYWELL 4020
32	1.07908.0	Albero bandella	Air flap shaft	Arbre clapet d'air	Arbol palomilla aire
33	1.07533.0	Servocomando SQN30	Servo-control SQN30	Servomoteur SQN30	Servomando SQN30
34	1.01038.0	Vetrino	Glass	Voyant	Vidrio