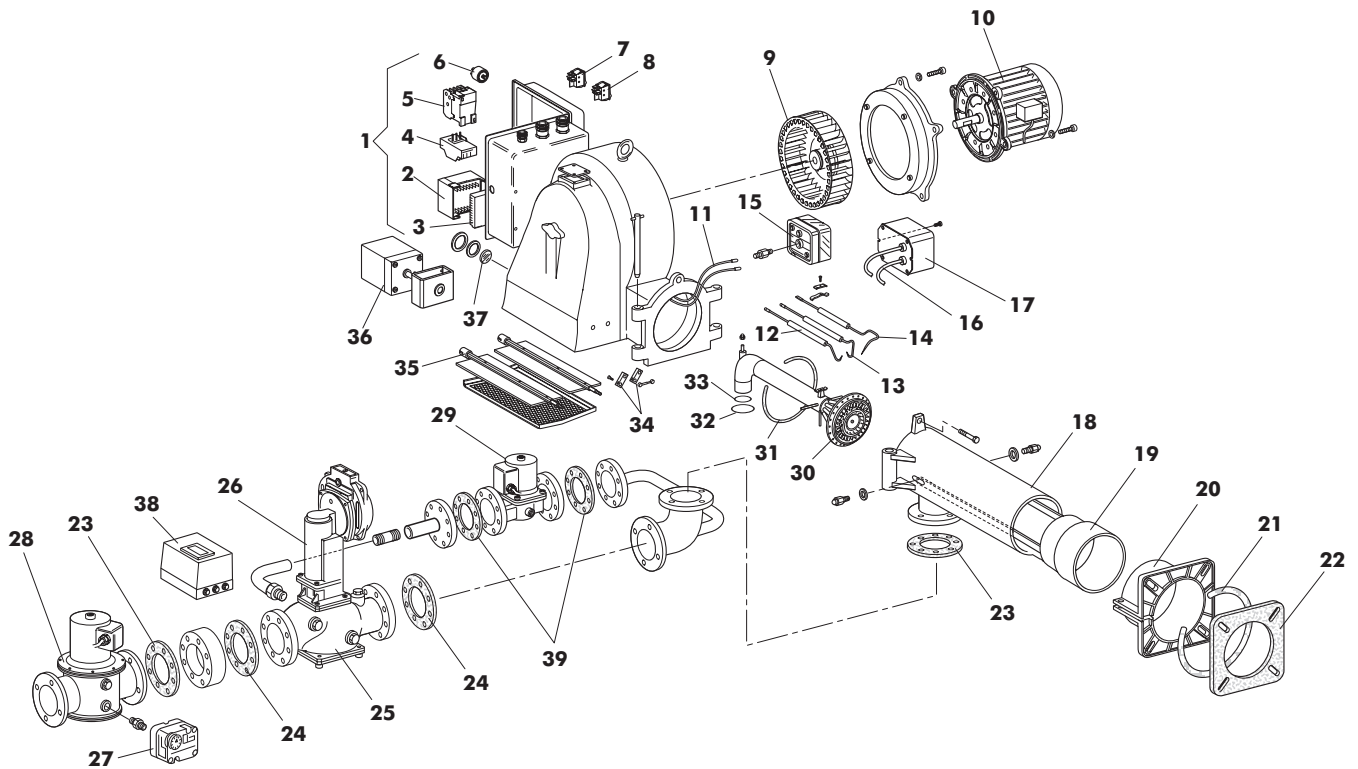


**430 PM/M - 65 - E**
**Cod. 835620**
**430 PM/M - 100 - E**
**Cod. 835630**
**TAV. 382**

Luglio 00



| Pos. | Cod.      | Denominazione               | Denomination               | Denomination              | Denominación                    |
|------|-----------|-----------------------------|----------------------------|---------------------------|---------------------------------|
| 1    | 8.01465.0 | Quadro elettrico            | Control board              | G/Armoire                 | G/Cuadro eléctrico              |
| 2    | 4.01908.0 | App. LFL 1.322              | Control box                | Coffret                   | Programador                     |
| 3    | 4.01909.0 | Base apparecchiatura        | Base                       | Base                      | Base                            |
| 4    | 4.01992.0 | Relé termico                | Thermal relay              | Rélais thermique          | Relais térmico                  |
| 5    | 4.01991.0 | Contattore                  | Contacteur                 | Contacteur                | Telerruptor                     |
| 6    | 4.03472.0 | Filtro antidisturbo         | Antijamming filter         | Filtre antiparasite       | Filtro antiparasitario          |
| 7    | 4.03397.0 | Pulsante luminoso           | Switch                     | Interrupteur              | Interruptor                     |
| 8    | 4.03386.0 | Interruttore luminoso       | Switch                     | Interrupteur              | Interruptor                     |
| 9    | 4.00641.0 | Ventola                     | Fan                        | Ventilateur               | Turbina                         |
| 10   | 1.07699.0 | Motore                      | Motor                      | Moteur                    | Motor                           |
| 11   | 1.07596.0 | Cavo elettrodo di controllo | Control electrode          | Cable élect. controle     | Cable electrodo ionización      |
| 12   | 4.03153.0 | Elettrodo sinistro          | Left electrode             | Electrode gauche          | Electrodo izquierda             |
| 13   | 4.03154.0 | Elettrodo destro            | Right electrode            | Electrode droit           | Electrodo diestra               |
| 14   | 4.03148.0 | Elettrodo controllo         | Control electrode          | Electrode d'ionisation    | Junta aislante                  |
| 15   | 4.03460.0 | Press. aria                 | Aire pressure switch       | Pressostat air            | Presostato aire                 |
| 16   | 1.07595.0 | Cavo elettrodo              | Electrode cable            | Cable électrode           | Cable electrodo                 |
| 17   | 4.00825.0 | Trasformatore               | Transformer                | Transformateur            | Transformador                   |
| 18   | 1.10021.0 | G/tubo convogliatore        | Conveying tube             | G/Tube diffuseur          | G/Tube difusor                  |
| 19   | 1.10022.0 | Bocaglio                    | Draught tube               | Gueulard                  | Boca de fuego                   |
| 20   | 1.07588.0 | Flangia attacco caldaia     | Flange                     | Joint                     | Brida                           |
| 21   | 1.02944.0 | Corda isolante              | Insulating rope            | Corde isolante            | Cuerda aislador                 |
| 22   | 1.07675.0 | Guarnizione isolante        | Insulating gasket          | Joint isolant             | Junta aislante                  |
| 23   | 9.00418.0 | Guarniz. DN100-PN6          | DN 100-PN6 UNI 2229 gasket | Joint DN 100-PN6 UNI 2229 | Junta DN 100-PN6 UNI 2229       |
| 24   | 9.00097.0 | Guarniz. DN65-PN10          | DN65-PN10 gasket           | Joint DN65-PN10           | Junta DN65-PN10                 |
|      | 9.00087.0 | Guarniz. DN80-PN10          | DN80-PN10 gasket           | Joint DN80-PN10           | Junta DN80-PN10                 |
| 25   | 4.03410.0 | Corpo DN65 VGF10            | Body DN65 VGF10            | Corps DN65 VGF10          | Cuerpo DN65 VGF10               |
|      | 4.00762.0 | Corpo DN80 VGF10            | Body DN80 VGF10            | Corps DN80 VGF10          | Cuerpo DN80 VGF10               |
| 26   | 4.01944.0 | Servomotore SKP 70          | Sermomotor SKP 70          | Servomoteur SKP 70        | Servomotor SKP 70               |
| 27   | 4.01066.0 | Press. gas GW50             | Gas pressure switch        | Pressostat gaz            | Presostato gas                  |
| 28   | 4.01820.0 | V.E. HONEYWELL 4065         | Valve HONEYWELL 4065       | Vanne HONEYWELL 4065      | Electroválvula HONEYWELL 4065   |
|      | 4.03119.0 | V.E. HONEYWELL 4100         | Valve HONEYWELL 4100       | Vanne HONEYWELL 4100      | Electroválvula HONEYWELL 4100   |
| 29   | 4.03515.0 | V.E. DUNGS MVD 504015       | Valve DUNGS MVD 504015     | Vanne DUNGS MVD 504015    | Electroválvula DUNGS MVD 504015 |
| 30   | 1.07567.0 | G/testata                   | Gas/head                   | G/Ligne int. gaz          | G/Linea int. gas                |
| 31   | 1.07696.0 | Guarnizione corpo           | Body gasket                | Joint corps               | Junta cuerpo                    |
| 32   | 1.07562.0 | Guarniz. tubo alimentaz.    | Feeding tube gasket        | Joint tube gas            | Junta tubo gas                  |
| 33   | 3.00129.0 | OR 6337                     | OR 6337                    | OR 6337                   | OR 6337                         |
| 34   | 1.07834.0 | Forcella                    | Bracket                    | Fourche                   | Horquilla                       |
| 35   | 1.07836.0 | Albero bandella             | Air flap shaft             | Arbre clapet d'air        | Arbol palomilla aire            |
| 36   | 1.08418.0 | Servocomando SQN30          | Servo-control SQN30        | Servomoteur SQN30         | Servomando SQN30                |
| 37   | 1.50452.0 | Vetro spia                  | Glass                      | Voyant                    | Vidrio                          |
| 38   | 4.01865.0 | Controllo tenuta VDK 200    | VDK 200 seal. control      | Controlleur VDK 200       | Controlo VDK 200                |
| 39   | 9.00137.0 | Guarniz. DN40-PN10          | DN40-PN10 gasket           | Joint DN40-PN10           | Junta DN40-PN10                 |