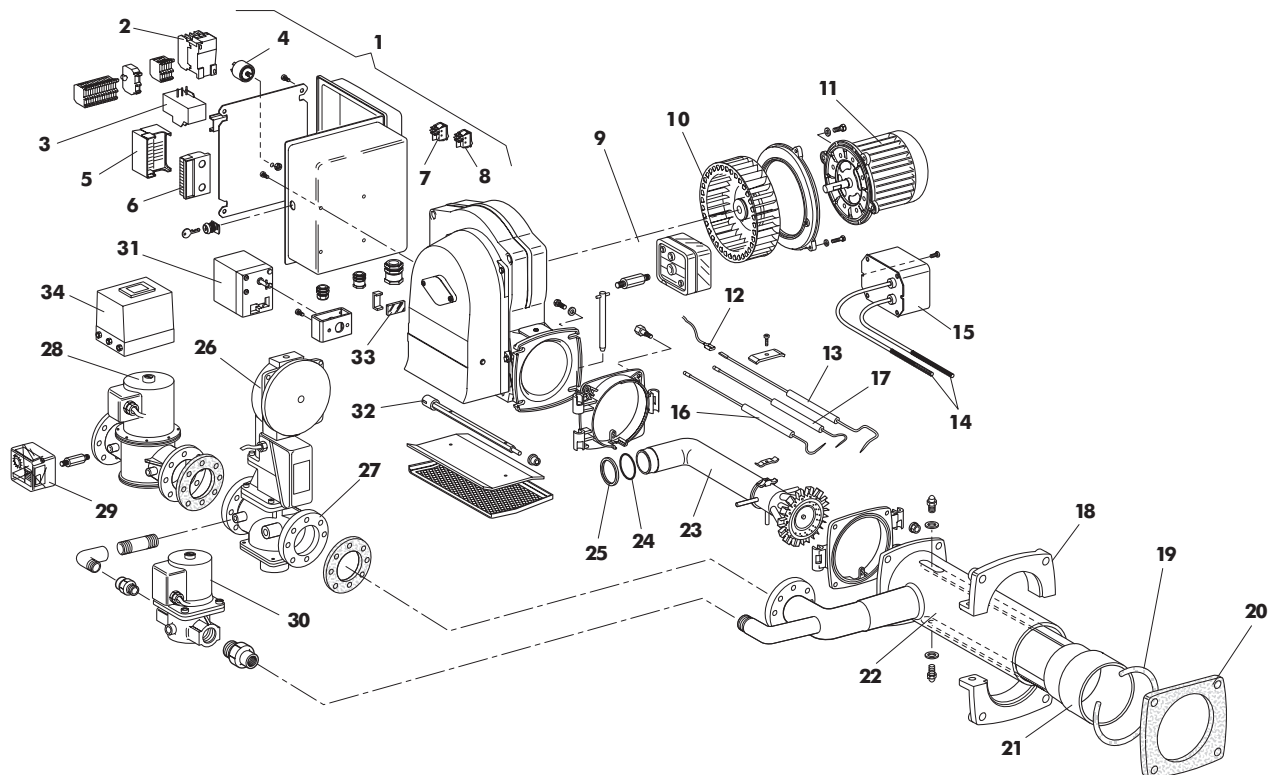


**210 PM/M - 2 - E**
**Cod. 835431**
**210 PM/M - 80 - E**
**Cod. 835441**
**TAV. 380**

Luglio 00



Pos.	Cod.	Denominazione	Denomination	Denomination	Denominación
1	8.01469.0	G/quadro elettrico	Control board	G/Armoire	G/Cuadro eléctrico
2	4.70337.0	Contattore	Contacteur	Contacteur	Telerruptor
3	4.70313.0	Relé termico	Thermal relay	Rélais thermique	Relais térmico
4	4.03472.0	Filtro antidisturbo	Antijamming filter	Filtre antiparasite	Filtro antiparasitario
5	4.01908.0	App. LFL 1.322	LFL control box	Coffret LFL	Programador LFL
6	4.01909.0	Base apparecchiatura	Base	Base	Base
7	4.03397.0	Pulsante luminoso	Switch	Interrupteur	Interruptor
8	4.03386.0	Interruttore luminoso	Switch	Interrupteur	Interruptor
9	4.03460.0	Press. aria	Aire pressure switch	Pressostat air	Presostato aire
10	4.01952.0	Ventola	Fan	Ventilateur	Turbina
11	1.07461.0	Motore	Motor	Moteur	Motor
12	1.10344.0	Cavo elettrodo di controllo	Flame rod cable	Cable électr. controle	Cable electrodo ionización
13	4.03117.0	Elettrodo di controllo	Control electrode	Electrode d'ionisation	Junta aislante
14	1.07595.0	Cavo elettrodo	Electrode cable	Cable électrode	Cable electrodo
15	1.08284.0	Trasformatore	Transformer	Transformateur	Transformador
16	4.03146.0	Elettrodo sinistro	Left electrode	Electrode gauche	Electrodo izquierda
17	4.03145.0	Elettrodo destro	Right electrode	Electrode droit	Electrodo derecha
18	1.07507.0	Semiflangua	Flange	Joint	Brida
19	1.00782.0	Corda isolante	Insulating rope	Corde isolante	Cuerda aislador
20	1.00788.1	Guarnizione isolante	Insulating gasket	Joint isalant	Junta aislante
21	1.09608.0	Boccaglio	Draught tube	Gueulard	Boca de fuego
22	1.10416.0	G/tubo convogliatore 2"	Conveying tube	G/Tube diffuseur	G/Tube difusor
	1.10419.0	G/tubo convogliat. DN80	Conveying tube	G/Tube diffuseur	G/Tube difusor
23	1.09619.0	G/testata	Gas/head	G/Ligne int. gaz	G/Linea int. gas
24	3.00127.0	OR 6287	OR 6287	OR 6287	OR 6287
25	1.07470.0	Guarniz. tubo alimentaz.	Feeding tube gasket	Joint tube gas	Junta tubo gas
26	4.01944.0	Servomotore SKP 70	Servomotor SKP 70	Servomoteur SKP 70	Servomotor SKP 70
27	4.01813.0	Corpo 2" VGG10	2" body VGG10	Corps 2" VGG10	Cuerpo 1 1/2" VGG10
	4.03411.0	Corpo DN80 VGF10	Body DN80 VGF10	Corps DN80 VGF10	Cuerpo DN80 VGF10
28	4.00780.0	V.E. HONEYWELL 4050	Valve HONEYWELL 4050	Vanne HONEYWELL 4050	Electroválvula HONEYWELL 4050
	4.01821.0	V.E. HONEYWELL 4080	Valve HONEYWELL 4080	Vanne HONEYWELL 4080	Electroválvula HONEYWELL 4080
29	4.01066.0	Press. gas GW50	Gas pressure switch	Pressostat gaz	Presostato gas
30	4.03475.0	V.E. HONEYWELL 4020	Valve HONEYWELL 4020	Vanne HONEYWELL 4020	Electroválvula HONEYWELL 4020
31	1.08418.0	Servocomando SQN30	Servo-control SQN30	Servomoteur SQN30	Servomando SQN30
32	1.07908.0	Albero bandella	Air flap shaft	Arbre clapet d'air	Arbol palomilla aire
33	1.01038.0	Vetrino	Glass	Voyant	Vidrio
34	4.01865.0	Controllo VDK 200	VDK 200 seal. control	Controlleur VDK 200	Controllo VDK 200