

# SPIROTRAP<sup>®</sup> MB3

Fast, easy removal of the smallest dirt particles with unique magnetic field booster technology



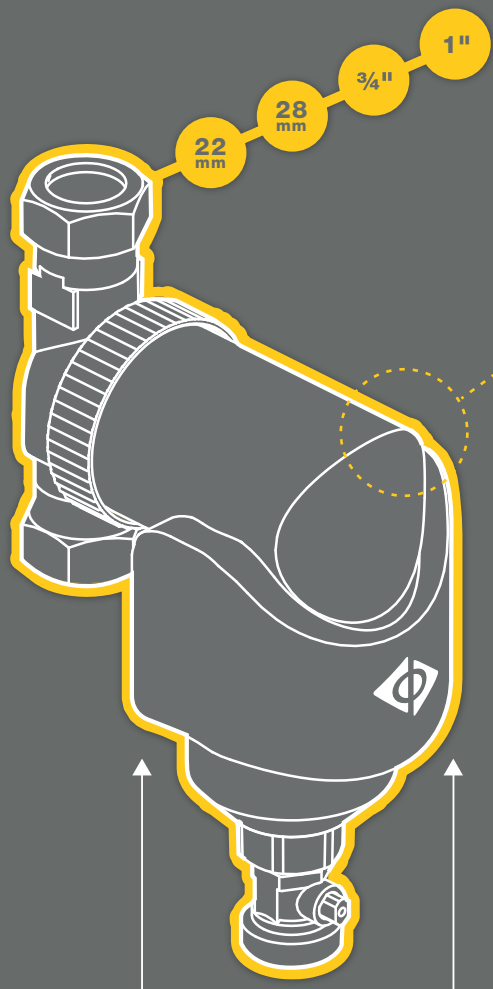
Best-in-class first pass separation



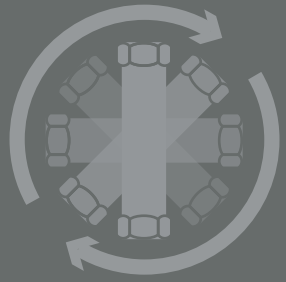
Industry-leading 20 year guarantee

Up to **7.4%**

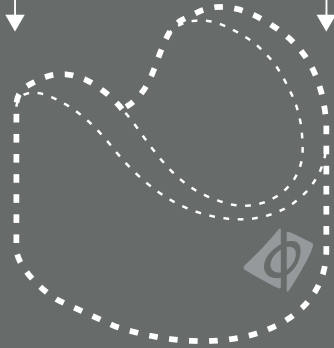
Energy saving



Sturdy brass housing



Quick, easy universal installation (360°)



Removable high-powered magnet



Quick and easy cleaning

# SPIROTRAP<sup>®</sup> MB3

SpiroTrap MB3 is a highly effective, powerful dirt separator for removing both magnetic and non-magnetic dirt particles from the system water. Available in connection sizes 22, 28 mm, ¾" and 1".



SpiroTrap MB3

Today's highly energy-efficient heating and cooling systems offer optimal performance with dirt-free water. In untreated systems, dirt can cumulate in multiple places throughout the system. Studies and practical experience show magnetite in particular leads to decreased energy efficiency and therefore higher energy costs. Ensuring quick and efficient dirt removal is vital.

## MAXIMISING PERFORMANCE, PROTECTING COMPONENTS

The unique magnetic field booster technology guarantees unprecedented fast, optimal dirt separation. Even the smallest magnetite particles are removed, maximising system performance as well as protecting costly system components. Thanks to the ingenious design, collected dirt can be removed quickly and easily.

The sturdy brass SpiroTrap MB3 is equipped with a swivel connection making it very easy to install and suitable for horizontal, vertical and even diagonal pipes.

For connections up to 2", we offer SpiroTrap MBL. For even larger applications, we recommend our SpiroTrap Magnet.

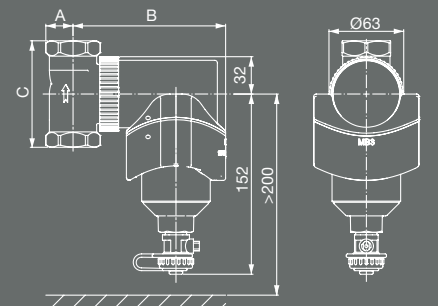
Kiwa Gastec has objectively proven that Spirotech's SpiroTrap MB3, which maximises magnetite removal, can bring up to 7.4% energy savings.

SpiroTrap MB3 is quick and easy to clean with minimal mess: simply pull down the clean external magnet, open the drain valve and dirt collected in the SpiroTrap runs into a collection bucket.

## SPIROTRAP<sup>®</sup> MB3 dirt separator, brass, universal connection

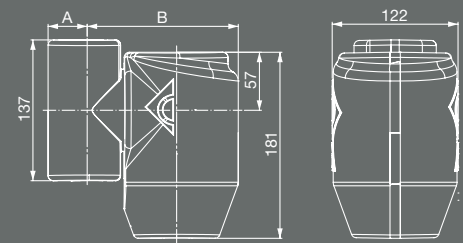
Article number	Connection	A (mm)	B (mm)	C (mm)	Nom. Flow rate (m³/h)	Δp at nom. flow (kPa)	Volume (ltr)	Weight (kg)	Matching insulation
UE022WJ	22mm comp.	19	122.5	113	1.3	1.9	0.36	2.2	TUE100
UE028WJ	28mm comp.	23	126.5	113	2.0	3.9	0.39	2.3	TUE100
UE075WJ	¾" int.	18	124.5	90	1.3	1.9	0.36	2.2	TUE100
UE0100WJ	1" int.	23	129.0	90	2.0	3.9	0.39	2.3	TUE100

Max. operating pressure 6 bar      Fluid temperature 0 - 110°C      Nominal flow velocity 1 m/s



## SPIROTRAP<sup>®</sup> MB3 INSULATION

Article number	Suitable for article number	A (mm)	B (mm)	Weight (kg)
TUE100	UE022WJ	44.5	140.5	0.3
TUE100	UE028WJ	40.5	144.5	0.3
TUE100	UE075WJ	42.5	142.5	0.3
TUE100	UE0100WJ	38.0	147.0	0.3



## FLUSHCONNECTOR

Can be applied quickly and easily to the base of the SpiroTrap MB3. Ideal in combination with the SpiroPlus RapidCleanse magnetic flushing kit. Article number **CTF075**.

